

# Smart String Inverter

SUN2000-33KTL-A



## Smart

- 8 strings intelligent monitoring and fast trouble-shooting
- Power Line Communication (PLC) supported
- Smart I-V Curve Diagnosis supported

## Efficient

- Max. efficiency 98.6%
- European efficiency 98.4%
- 4 MPPT per unit, effectively reducing string mismatch

## Safe

- DC switch integrated, safe and convenient for maintenance
- Residual Current Monitoring Unit (RCMU) integrated
- Fuse free design

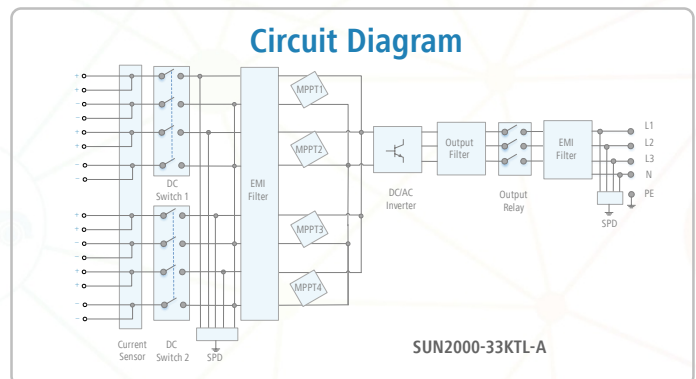
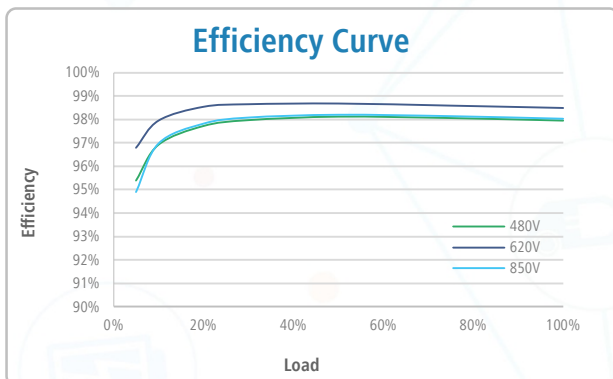
## Reliable

- Natural cooling technology
- Protection degree of IP65
- Type II surge arresters for both DC and AC

# Smart String Inverter (SUN2000-33KTL-A)



Technical Specifications	SUN2000-33KTL-A
	<b>Efficiency</b>
Max. Efficiency	98.6%
European Efficiency	98.4%
	<b>Input</b>
Max. Input Voltage	1,100 V
Max. Current per MPPT	22 A
Max. Short Circuit Current per MPPT	30 A
Start Voltage	250 V
MPPT Operating Voltage Range	200 V ~ 1,000 V
Rated Input Voltage	620 V
Number of Inputs	8
Number of MPP Trackers	4
	<b>Output</b>
Rated AC Active Power	30,000 W
Max. AC Apparent Power	33,000 VA
Max. AC Active Power (cosφ=1)	30,000 W
Rated Output Voltage	230 V / 400 V, 3W + N + PE;
Rated AC Grid Frequency	50 Hz / 60 Hz
Rated Output Current	43.3 A
Max. Output Current	48 A
Adjustable Power Factor Range	0.8 LG ... 0.8 LD
Max. Total Harmonic Distortion	< 3%
	<b>Protection</b>
Input-side Disconnection Device	Yes
Anti-islanding Protection	Yes
AC Overcurrent Protection	Yes
DC Reverse-polarity Protection	Yes
PV-array String Fault Monitoring	Yes
DC Surge Arrester	Type II
AC Surge Arrester	Type II
DC Insulation Resistance Detection	Yes
Residual Current Monitoring Unit	Yes
	<b>Communication</b>
Display	LED Indicators, Bluetooth + APP
USB	Yes
RS485	Yes
Power Line Communication (PLC)	Yes
	<b>General</b>
Dimensions (W x H x D)	930 x 550 x 283 mm (36.6 x 21.7 x 11.1 inch)
Weight (with mounting plate)	62 kg (136.7 lb.)
Operating Temperature Range	-25 °C ~ 60 °C (-13°F ~ 140°F)
Cooling Method	Natural Convection
Max. Operating Altitude	4,000 m (13,123 ft.)
Relative Humidity	0 ~ 100%
DC Connector	Amphenol Helios H4
AC Connector	Waterproof PG Terminal + OT Connector
Protection Degree	IP65
Topology	Transformerless
	<b>Standard Compliance (more available upon request)</b>
Certificate	EN 62109-1/-2, IEC 62109-1/-2, IEC 62116
Grid Code	IEC 61727, VDE-AR-N-4105, VDE 0126-1-1, BDEW, G59/3, UTE C 15-712-1, CEI 0-16, CEI 0-21, , RD 661, RD 1699, P.O. 12.3, RD 413, C10/11, EN 50438-Turkey



The text and figures reflect the current technical state at the time of printing. Subject to technical changes. Errors and omissions excepted. Huawei assumes no liability for mistakes or printing errors. For more information, please visit solar.huawei.com. Version No:01-(201807)